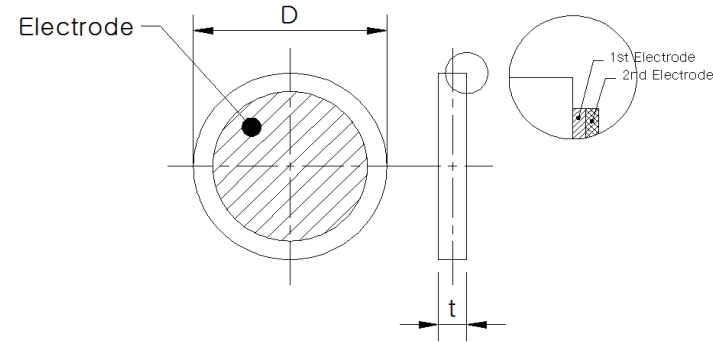


PTC thermistors as heating elements

Metallized round disks

Home Appliances

- 훈증기
- 온열 치료기, 안마기
- 바이메탈 히터



Symbols and terms

R_{25}	Resistance at 25°C
R_b	Resistance switching temperature
T_b	Switching temperature
T_{sf}	Final surface temperature
V_R	Rated voltage
V_{max}	Maximum operating voltage
I_{max}	Maximum current
$I_{in p}$	Peak inrush current
I_{res}	Residual current
V_w	Withstanding voltage

Part no. (Logo : HP)	온도	상온저항	외관 규격		전극		두께	사용전압			전기적 특성			Part no. (Logo : SYP)
	T_b	R_{25}	D		1st	2nd	t	V_R	V_{max}	V_{WS}	I_{in}	I_{res}	T_s	
	[°C]	[Ω]	[mm]		-	-	[mm]	[V]	[V]	[V]	[Max. A]	[mA]	[°C]	
HP HE 06 010 S D 20 00 A 08 A	60	1.75 ±20%	20.0 ±0.5		Ag/Zn	Ag	0.80 ±0.1	3.3	6	15	2.0	600 ±30%	-	SYP HE 06 010 S D 20 - A 08
HP HJ 09 150 S D 02 R1 A 03 A	90	12.5 ±20%	2.1 ±0.1		Ag/Zn	Ag	0.28 ±0.02	12	15	30	-	-	-	SYP HE 09 150 S D 02 R1 - A 03
HP HJ 09 102 S D 08 00 A 30 A	90	1,000 ±40%	8.0 ±0.3		Ag/Zn	Ag	3.00 ±0.1	100	140	700	0.4	-	-	SYP HE 09 102 S D 08 - A 30
HP HJ 10 501 S D 12 00 A 25 A	100	500 ±60%	12.0 ±0.3		Ag/Zn	Ag	2.50 ±0.1	100	125	400	2.0	25 ±30%	100 ±10	SYP HE 10 501 S D 12 - A 25
HP HJ 10 501 S D 17 00 A 25 A	100	500 ±60%	17.0 ±0.3		Ag/Zn	Ag	2.50 ±0.1	100	125	400	2.0	28 ±30%	100 ±10	SYP HE 10 501 S D 17 - A 25
HP HJ 10 142 S D 12 00 A 21 A	100	1,000 ±40%	12.0 ±0.3		Ag/Zn	Ag	2.10 ±0.1	200	265	400	2.0	38 ±30%	105 ±10	SYP HE 10 142 S D 12 - A 21
HP HJ 13 851 S D 06 00 A 15 A	135	850 ±40%	6.0 ±0.2		Ag/Zn	Ag	1.50 ±0.1	250	265	600	2.0	35 ±30%	127 ±10	SYP HE 13 851 S D 06 - A 15
HP HJ 14 202 S D 10 00 A 23 A	135	2,000 ±50%	10.0 ±0.3		Ag/Zn	Ag	2.30 ±0.1	220	265	600	1.5	15 ±30%	135 ±10	SYP HE 14 202 S D 10 - A 23
HP HJ 15 202 S D 10 00 A 23 A	150	2,000 ±50%	10.0 ±0.3		Ag/Zn	Ag	2.30 ±0.1	220	265	500	1.5	18 ±30%	145 ±10	SYP HE 15 202 S D 10 - A 23
HP HJ 17 102 S D 08 00 A 30 A	175	1,000 ±50%	8.0 ±0.3		Ag/Zn	Ag	3.00 ±0.1	100	140	700	0.7	-	-	SYP HE 17 102 S D 08 - A 30
HP HJ 18 400 S D 13 00 A 20 A	180	40.00 ±30%	12.8 ±0.3		Ag/Zn	Ag	2.00 ±0.2	24	30	100	3.0	350 ±30%	160 ±10	SYP HE 18 400 S D 13 - A 20
HP HJ 18 202 S D 08 00 A 30 A	180	2,000 ±50%	8.0 ±0.3		Ag/Zn	Ag	3.00 ±0.1	220	265	400	2.0	15 ±30%	170 ±10	SYP HE 18 202 S D 08 - A 30
HP HJ 19 101 S D 13 00 A 20 A	190	100 ±20%	12.8 ±0.3		Ag/Zn	Ag	2.00 ±0.2	30	35	100	2.0	350 ±30%	180 ±10	SYP HE 19 101 S D 13 - A 20
HP HJ 22 202 S D 10 00 Z 21 A	220	2,000 ±50%	10.0 ±0.3		Ag/Zn		2.10 ±0.1	220	265	400	1.5	22 ±30%	200 ±10	SYP HE 22 202 S D 10 - Z 21
HP HJ 23 680 S D 13 00 A 20 A	230	68.0 ±30%	13.0 ±0.3		Ag/Zn	Ag	2.00 ±0.1	30	35	100	3.0	370 ±30%	215 ±10	SYP HE 23 680 S D 13 - A 20
HP HJ 23 202 S D 08 00 A 30 A	230	2,000 ±50%	8.0 ±0.3		Ag/Zn	Ag	3.00 ±0.1	220	265	400	1.5	22 ±30%	205 ±10	SYP HE 23 202 S D 08 - A 30
HP HJ 23 202 S D 11 00 A 29 A	230	2,000 ±50%	11.1 ±0.3		Ag/Zn	Ag	2.90 ±0.1	220	265	400	2.0	30 ±30%	215 ±10	SYP HE 23 202 S D 11 - A 29